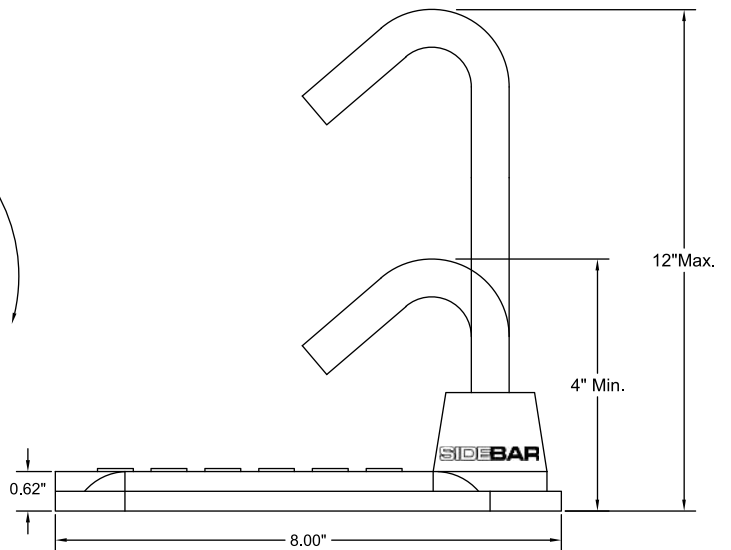
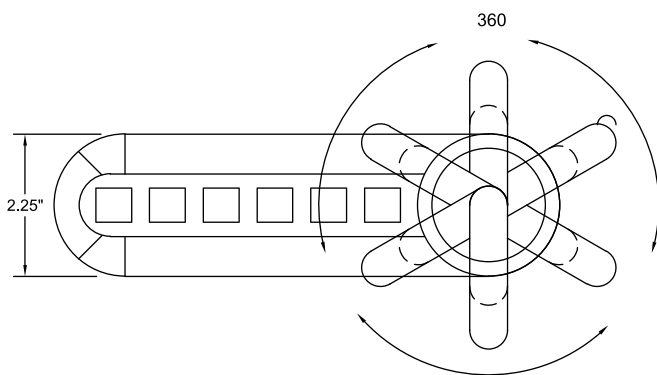
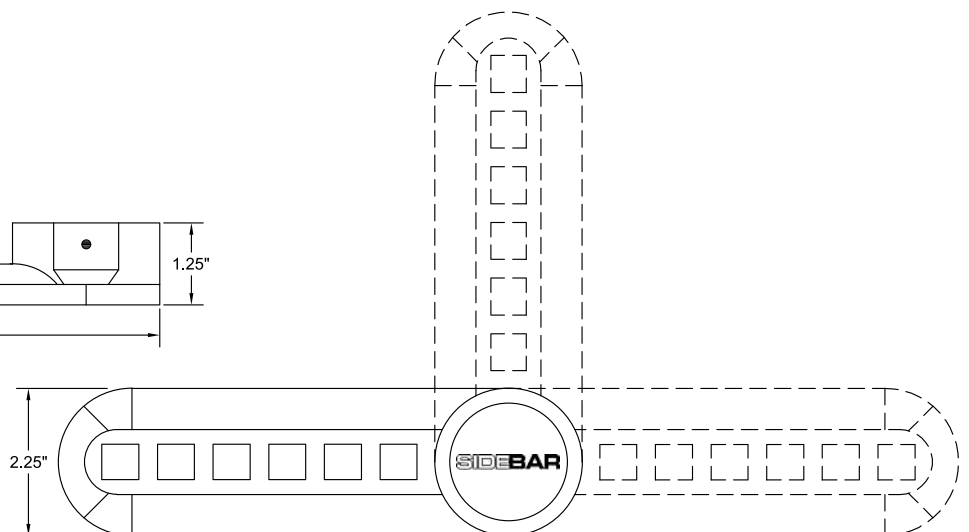
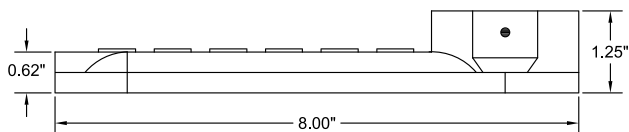


PUMP SYSTEM



HORIZONTAL (H) MODEL



VERTICAL (V) MODEL